

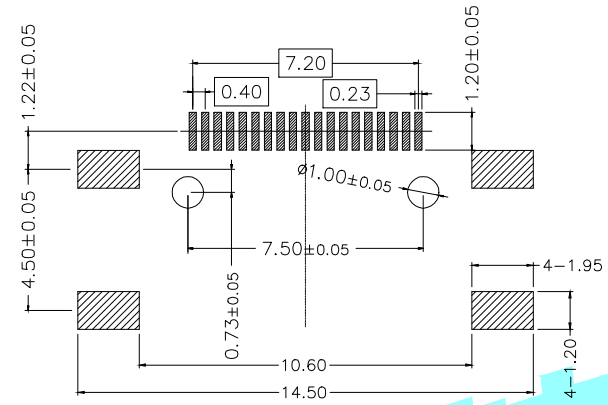
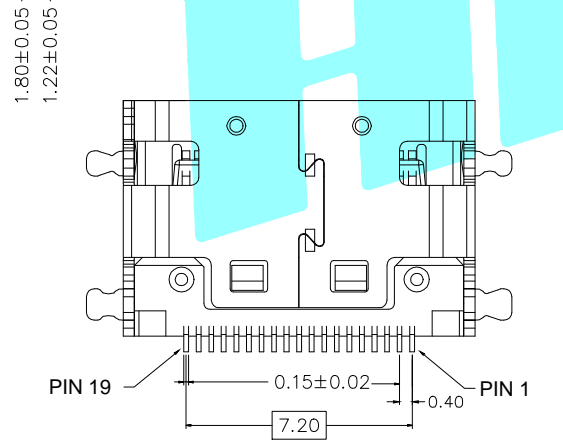
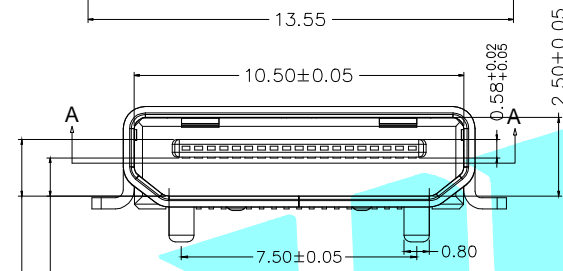
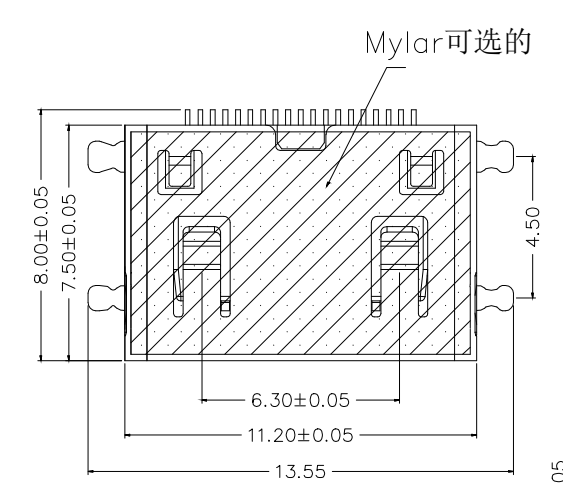
- SPECIFICATION:**
- 1.MATING FORCE:44.1N MAX
 - 2.UNMATING FORCE:7-25N
 - 3.DURABILITY: 5000 CYCLES MIN
 - 4.CURRENT:0.5A
 - 5.VOLTAGE:40V MAX
 - 6.WITHSTANDING VOLTAGE:500V AC MIN.(UNMATED)
 - 7.CONTACT RESISTANCE:30MN MAX.
 - 8.INSULATION RESISTANCE:100MN MIN.(UNMATED)

Type C pin	Signal Name
1	TMDS Data2 Shield
2	TMDS Data2+
3	TMDS Data2-
4	TMDS Data1 Shield
5	TMDS Data1+
6	TMDS Data1-
7	TMDS Data0 Shield
8	TMDS Data0+
9	TMDS Data0-
10	TMDS Clock Shield
11	TMDS Clock+
12	TMDS Clock-
13	DDC/C/CEC Ground
14	CEC
15	SCL
16	SDA
17	Utility
18	+5V Power
19	Hot Plug Detect

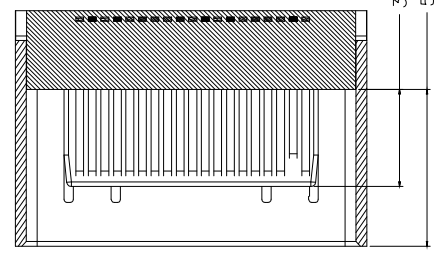
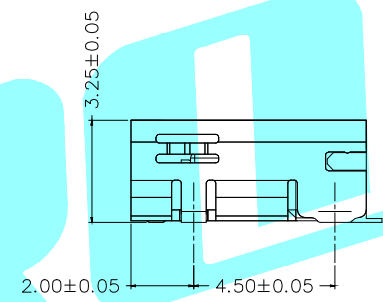
③	Shell	—	1	Phosphor Bronze	Au Plated	—
②	Contact	—	19	Phosphor Bronze	Au Plated	—
①	Housing	—	1	LCP	Black	—
ITEM	PART NAME	TER'NO.	QTY.	MATERIAL	FINISHING	REMARK

APPROVALS		DATE		 ELECTRONICS CO.,LTD		
DRAWN	JKUN.LU	2014/6/17				
CHECKED				TITLE: HDMI CONNECTOR		
APPROVALS				PART NO. U-C-19SS-W-1		
TOLERANCES ARE		30~以上	±0.30	ANGLE	UNIT: mm	SCALE: 1:1
		10~30	±0.25			
		5~10	±0.20			
		~ 5	±0.15			
		±2'	DRAWING NO.		PROJ:	
				SHEET 1 OF 1		

—	B	—	 NEW	—	—	—
—	A	—		—	—	—
ECN NO.	REV.	DATE.	DESCRIPTION.	CHANGE.	CHECK.	APPRO.



RECOMMENDED PCB LAYOUT



SEC A-A
SCALE 1:1

Type C pin	Type C-to-Type C Cable Wire Assignment	Signal Name
1	TMDS Data2 Shield	
2	TMDS Data2+	
3	TMDS Data2-	
4	TMDS Data1 Shield	
5	TMDS Data1+	
6	TMDS Data1-	
7	TMDS Data0 Shield	
8	TMDS Data0+	
9	TMDS Data0-	
10	TMDS Clock Shield	
11	TMDS Clock+	
12	TMDS Clock-	
13	DDC/CEC Ground	
14	CEC	
15	SCL	
16	SDA	
17	Utility	
18	+5V Power	
19	Hot Plug Detect	

SPECIFICATION:

- 1.MATING FORCE:44.1N MAX
- 2.UNMATING FORCE:7-25N
- 3.DURABILITY: 5000 CYCLES MIN
- 4.CURRENT:0.5A
- 5.VOLTAGE:40V MAX
- 6.WITHSTANDING VOLTAGE:500V AC MIN.(UNMATED)
- 7.CONTACT RESISTANCE:30MN MAX.
- 8.INSULATION RESISTANCE:100MN MIN.(UNMATED)
- 9.OPERATING TEMPERATURE RANGE:-20.C TO +85.C
- 10.ALL THE MATERIAL SHOULD COMPLY WITH THE ROHS REQUIREMENT.

ITEM	PART NAME	TER'NO.	QTY.	MATERIAL	FINISHING	REMARK
③	Shell	—	1	Phosphor Bronze	Au Plated	—
②	Contact	—	19	Phosphor Bronze	Au Plated	—
①	Housing	—	1	LCP	Black	—

APPROVALS		DATE		HRO 翰稼 ELECTRONICS CO.,LTD		
DRAWN	QIFENG.XU	2014/6/17		TITLE:	HDMI CONNECTOR	
CHECKED				PART NO.	U-F-19SS-W-1	
APPROVALS				UNIT: mm	SCALE: 1:1	PROJ:
TOLERANCES ARE	30~以上 ±0.30	10~30 ±0.25	ANGLE	DRAWING NO.		SHEET 1 OF 1
	5~10 ±0.20	~ 5 ±0.15	±2'			

ECN NO.	REV.	DATE.	DESCRIPTION.	CHANGE.	CHECK.	APPRO.
—	A	—	NEW	—	—	—