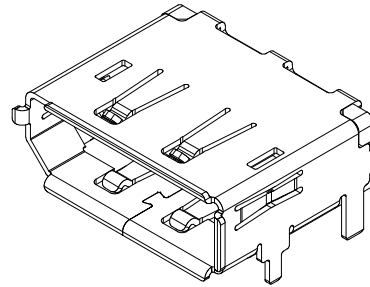
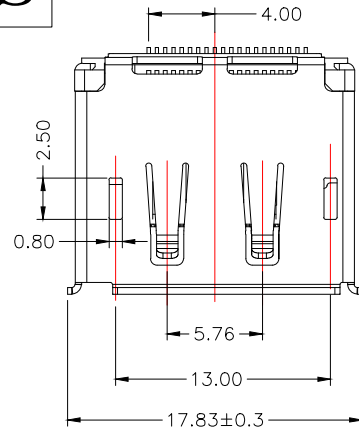
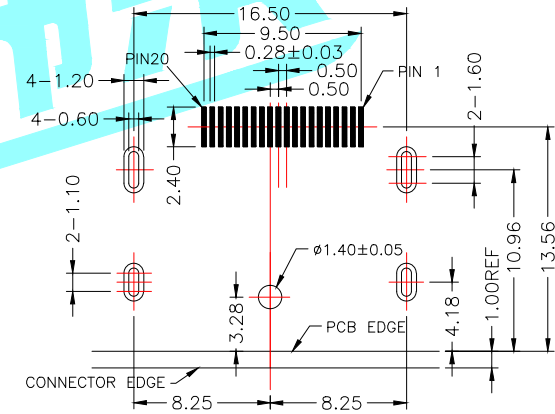
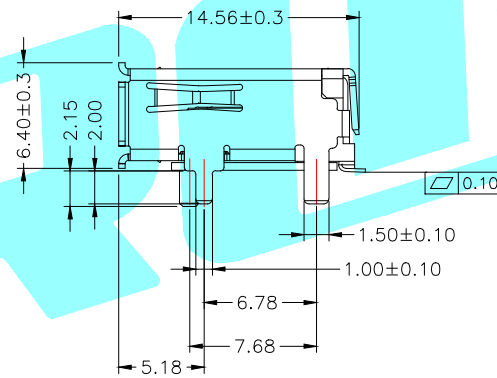
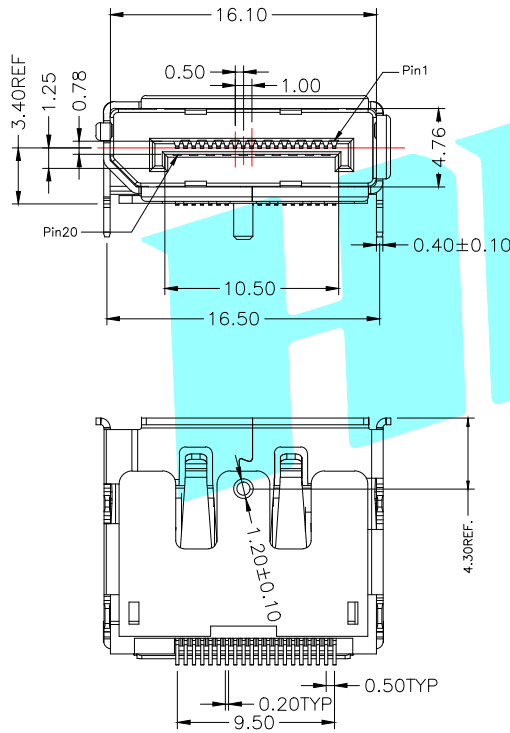


# ROHS



NOTE:  
 1. MECHANICAL CHARACTERISTICS  
 1.1 RATING CURRENT: 0.5A  
 1.2 RATING VOLTAGE: 40V  
 1.3 CONTACT RESISTANCE: 40 mΩ MAX  
 1.4 INSULATION RESISTANCE:  
     a, UNMATED: 100MΩ MIN AT 500 VDC  
     b, MATED: 10M OHMS MIN AT 150 VDC  
 1.5 DIELECTRIC WITHSTANDING VOLTAGE: 500V AC/1MINUTE  
 1.6 DURABILITY: 10000 CYCLES.  
 1.7 OPERATING TEMPERATURE: -20°C--+85°C  
 1.8 STORAGE TEMPERATURE: -20°C--+65°C  
 2. NOTES:  
 2.1 ALL COMPONENTS ARE RoHS COMPLIANT.  
 2.2 RESISTANCE TO SOLDERING HEAT: 260°C FOR 10 SECONDS.



RECOMMENDED P.C.B LAYOUT(PCB THICKNESS: 1.6mm)  
 COMPONENT SIDE VIEW(TOLERANCE: ±0.05)

④	Cover	—	1	LCP	Black	—
③	Shell	—	1	Brass(T=0.4)	Ni Plated	—
②	Contact	—	20	Brass(T=0.2)	Au/Ni Plated	—
①	Housing	—	1	LCP	Black	—
ITEM	PART NAME	TER'NO.	QTY.	MATERIAL	FINISHING	REMARK

APPROVALS		DATE		 ELECTRONICS CO.,LTD		
DRAWN	LIUCAN	2021.3.17				
CHECKED				PART NO.	U-H-20DD-Y-1	
APPROVALS				UNIT: mm	SCALE: 1:1	PROJ:
TOLERANCES ARE	30~以上	±0.30	ANGLE	DRAWING NO.	SHEET	1 OF 1
	10~30	±0.25				
	5~10	±0.20				
	~ 5	±0.15				

—	B	—	NEW	—	—	—
—	A	—	NEW	—	—	—
ECN NO.	REV.	DATE.	DESCRIPTION.	CHANGE.	CHECK.	APPRO.