

PIN	Signal Name	Mating Sequence	PIN	Signal Name	Mating Sequence
A1	GND	First	B12	GND	First
A2	SSTXp1	Second	B11	SSRXp1	Second
A3	SSTXn1	Second	B10	SSRXn1	Second
A4	Vbus	First	B9	Vbus	First
A5	CC1	Second	B8	SBU2	Second
A6	Dp1	Second	B7	Dn2	Second
A7	Dn1	Second	B6	Dp2	Second
A8	SBU1	Second	B5	CC2	Second
A9	Vbus	First	B4	Vbus	First
A10	SSRXn2	Second	B3	SSTXn2	Second
A11	SSRXp2	Second	B2	SSTXp2	Second
A12	GND	First	B1	GND	First
SHELL	GND		SHELL	GND	

接触区 PLATING :Au15u"		10.20	4.42
接触区 PLATING :Au15u"	NYLON		
接触区 PLATING :Au30u"	黑色		
接触区 PLATING :Au3u"		9.8	4.02
接触区 PLATING :Au15u"			
接触区 PLATING :Au30u"	LCP 黑色		
接触区 PLATING :Au3u"			
接触区 PLATING SPC.	主体材质	DIM"A"	DIM"B"

NOTES:

- ELECTRICAL :
  - CONTACT CURRENT RATING :
    - 5A(VBUS PIN 1.5A/PIN),
    - 5A(GND PIN 1.25A/PIN MAX),0.25A/PIN(OTHER PIN).
  - INSULATION RESISTANCE :
    - 100 MEGAOHMS MIN. AT 250VDC.
  - DIELECTRIC WITHSTANDING VOLTAGE :
    - 100VAC MIN.
  - LOW LEVEL CONTACT RESISTANCE :
    - INITIAL 40mΩ MAX.
    - AFTER 50mΩ MAX.
- MECHANICAL CHARACTERISTICS :
  - MATING FORCE: 5~20N.
  - UNMATING FORCE: 8~20N(INITIAL),6~20N(AFTER 10000 CYCLES);
  - DURABILITY : 10,000 MATING CYCLES.
  - OPERATING TEMPERATURE : -40°C TO +80°C

30Min/1m  
IP-X7

⑧	GLUE WATER	—	1	EPOXY	BLACK;
⑦	Shell-2	—	1	Stainless steel	NI PLATING;
⑥	Shell-1	—	1	Stainless steel	NI PLATING;
⑤	GND PLATE	—	1	Stainless steel	NI PLATING;
④	MID PLATE	—	1	Stainless steel	—
③	Terminal-B	—	12	铜镍硅合金	—
②	Terminal-A	—	12		—
①	Housing	—	1	HIGH TEMP	Black
ITEM	PART NAME	TER'NO.	QTY.	MATERIAL	FINISHING

APPROVALS		DATE			
DRAWN	LIUCAN	2021.3.4			
CHECKED				PART NO.	TYPE-C-31-E-12
APPROVALS				UNIT: mm	SCALE: 1:1
TOLERANCES ARE	30~以上	±0.30	ANGLE	DRAWING NO.	SHEET 1 OF 1
	10~30	±0.25			
	5~10	±0.20			
	~ 5	±0.15	±2°		

ECN NO.	REV.	DATE.	DESCRIPTION.	CHANGE.	CHECK.	APPRO.
	A		NEW			

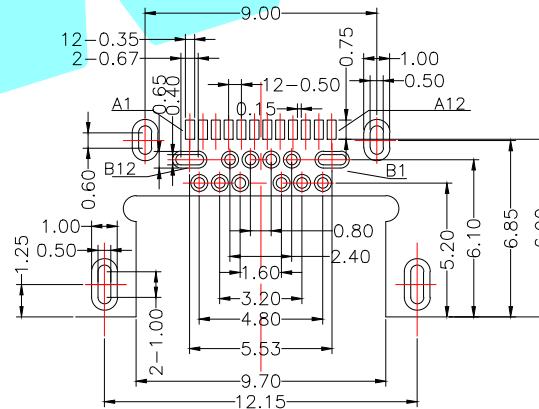
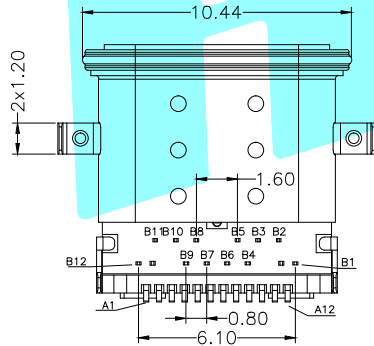
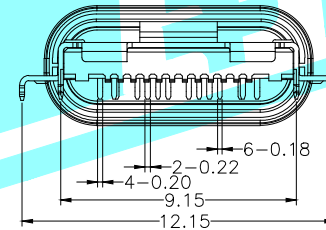
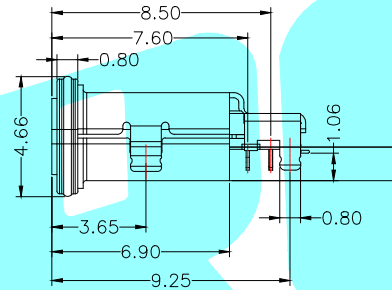
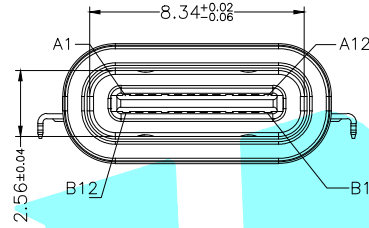
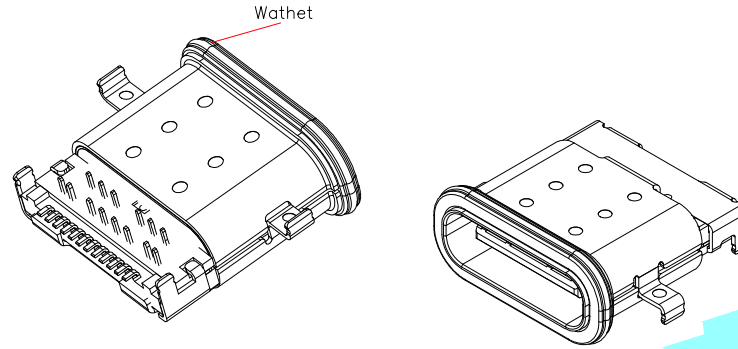
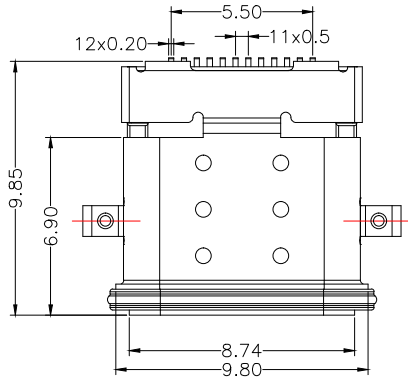
SPECIFICATION:

1.ELECTRICAL:

- 1-1:CURRENT RATING:  
VBUS AND GND CONTACTS RATED AT 1.25A  
PARALLELED FOR A TOTAL OF 5A;
- 1-2:INITIAL CONTACT RESISTANCE :40 MEGOHMS
- 1-3:DIELECTRIC WITHSTANDING VOLTAGE:  
100V AC MIN;

2:MECHANICAL CHARACTERISTICS:

- 2-1:MATING FORCE:5~20N
  - 2-2:UNMATING FORCE:8~20N(INITIAL),  
6~20N(AFTER 10000 CYCLES)
  - 2-3:FREQUENCY: 200±50 CYCLES /HOUR,10000  
CYCLES
  - 2-4:OPERATING TEMPERATURE ;-40°~80°.
- 3: WATERPROOF: IP-X7.



RECOMMEND PCB LAYOUT  
TOL=±0.05

A1	GND	B12	GND
A2	SSTXP1	B11	SSRXP1
A3	SSTXN1	B10	SSRXN1
A4	VBUS	B9	VBUS
A5	CC1	B8	SBU2
A6	DP1	B7	DN2
A7	DN1	B6	DP2
A8	SBU1	B5	CC2
A9	VBUS	B4	VBUS
A10	SSRXN2	B3	SSTXN2
A11	SSRXP2	B2	SSTXP2
A12	GND	B1	GND
PIN	SIGNAL NAME	PIN	SIGNAL NAME

⑦	RING	—	1	SILICON	Wathet
⑥	MID-PLANT	—	1	STAINLESS STEEL	—
⑤	GND-PLANT	—	1	STAINLESS STEEL	NI/SN Plated
④	SHELL	—	1	STAINLESS STEEL	—
③	INNER SHELL	—	1	STAINLESS STEEL	NI Plated
②	CONTACT	—	2	COPPER ALLOY	Au/NI Plated
①	HOUSING	—	1	HIGH TEMPERATURE PLASTIC	BLACK
ITEM	PART NAME	TER'NO.	QTY.	MATERIAL	FINISHING

APPROVALS		DATE		 ELECTRONICS CO.,LTD		
DRAWN	LIUCAN	2021.6.29				
CHECKED				TITLE:	沉板1.06MM	
APPROVALS				PART NO.	TYPE-C-31-E-12B	
TOLERANCES ARE	30~以上	±0.30	ANGLE	UNIT: mm	SCALE: 1:1	PROJ:
	10~30	±0.25				
	5~10	±0.20	±2'	DRAWING NO.		SHEET 1 OF 1
	~ 5	±0.15				

ECN NO.	REV.	DATE.	NEW	DESCRIPTION.	CHANGE.	CHECK.	APPRO.
---------	------	-------	-----	--------------	---------	--------	--------