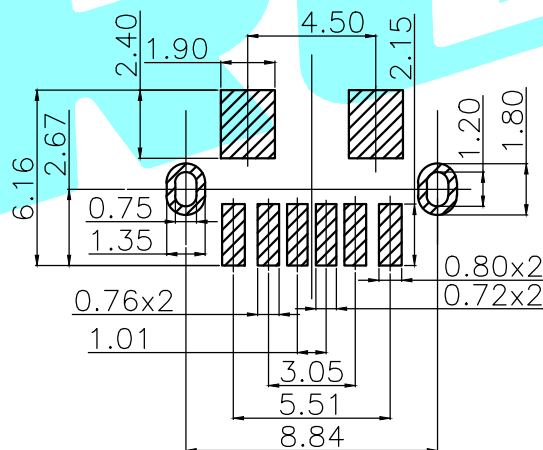
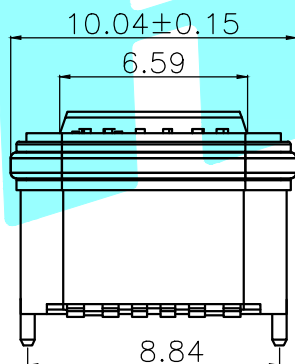
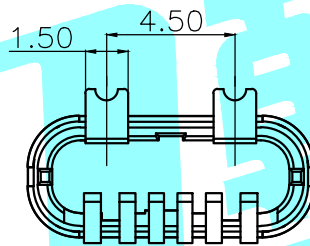
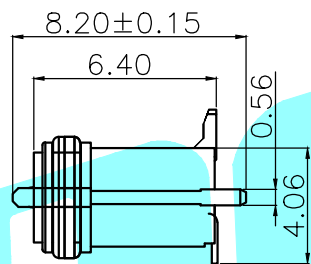
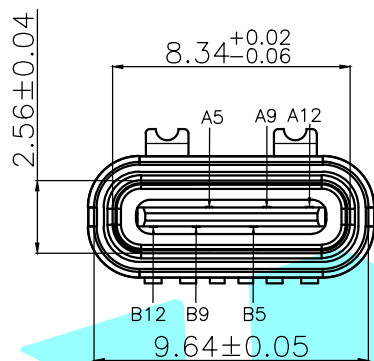


Note:

- Material:
 - Housing: PA9T
 - Contact: C5191, t=0.20mm
 - Shell: Kirsite
- ELECTRICAL:
 - CURRENT RATING:
 - VBUS AND GND CONTACTS RATED AT 1.25A PARALLELED FOR A TOTAL OF 5A;
 - INITIAL CONTACT RESISTANCE :40 MEGOHMS
 - DIELECTRIC WITHSTANDING VOLTAGE: 100V AC MIN;
- MECHANICAL CHARACTERISTICS:
 - MATING FORCE: 5~20N
 - UNMATING FORCE: 8~20N (INITIAL), 6~20N (AFTER 10000 CYCLES)
 - FREQUENCY: 200±50 CYCLES / HOUR, 10000 CYCLES
 - OPERATING TEMPERATURE ; -40°~80°.



PCB Layout(Pattern side)

A5	CC1	B12	GND
A9	VBUS	B9	VBUS
A12	GND	B1	GND
PIN	SIGNAL NAME	PIN	SIGNAL NAME

APPROVALS		DATE	 ELECTRONICS CO.,LTD		
DRAWN	LIUCAN	2020.11.23			
CHECKED			TITLE:	USB CONNECTOR	
APPROVALS			PART NO.	TYPE-C-31-E-08	
TOLERANCES ARE	30~以上	±0.30	ANGLE	UNIT: mm	SCALE: 1:1
	10~30	±0.25			
	5~10	±0.20	±2'	DRAWING NO.	SHEET 1 OF 1
	~ 5	±0.15			

ECN NO.	REV.	DATE.	DESCRIPTION.	CHANGE.	CHECK.	APPRO.
	A		NEW			