

B12	GND
B9	VBUS
B5	CC2
A5	CC1
A9	VBUS
A12	GND
PIN	SIGNAL NAME

NOTES:

1.MECHANICAL:

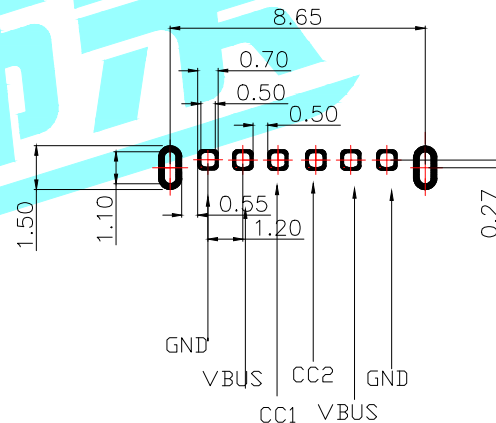
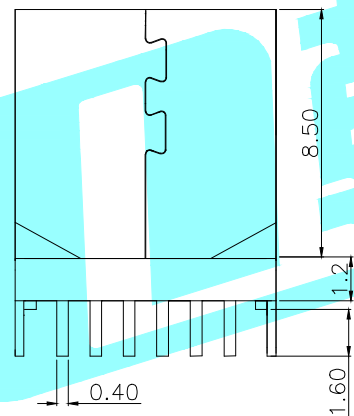
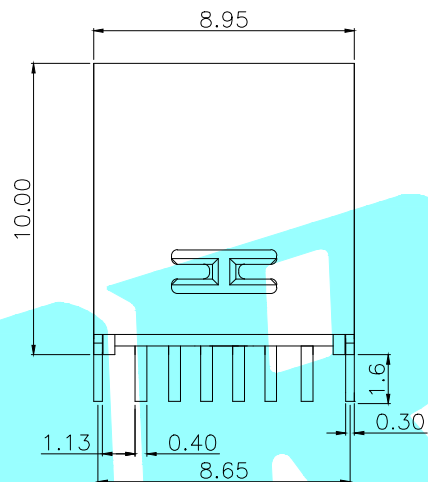
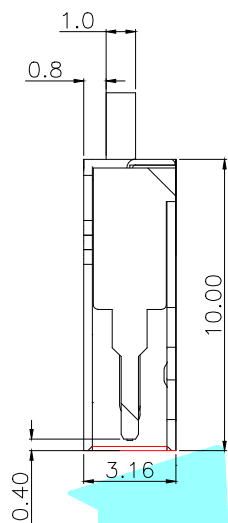
INSERTION: 5~20N.  
EXTRACTION: 8~20N AFTER TEST.  
DURABILITY: 5000 CYCLES

2.ELECTRICAL:

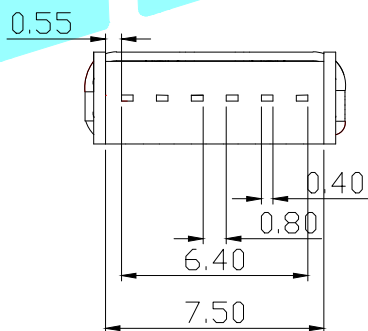
CURRENT: 3A FOR VBUS;  
1.25A FOR GND PIN.  
0.25A FOR OTHER.

VOLTAGE: 20 V MAX

WITHSTANDING VOLTAGE: 100V AC R.M.S.



RECOMMENDED P.C.B. LAYOUT  
TOLERANCE UNSPECIFIED ±0.05mm



③	Shell	—	1	STAINLESS STEEL	Ni Plated
②	Contact	—	6	COPPER ALLOY	Au Plated
①	Housing	—	1	LCP	Black
ITEM	PART NAME	TER'NO.	QTY.	MATERIAL	FINISHING

APPROVALS		DATE		 ELECTRONICS CO.,LTD		
DRAWN	LIUCAN	2021.8.31				
CHECKED				TITLE:	USB CONNECTOR	
APPROVALS				PART NO.	TYPE-C-31-D-01	
TOLERANCES ARE	30~以上	±0.30	ANGLE	UNIT: mm	SCALE: 1:1	Proj:
	10~30	±0.25		±2'		
	5~10	±0.20				SHEET 1 OF 1
	~ 5	±0.15				

ECN NO.	REV.	DATE.	NEW	DESCRIPTION.	CHANGE.	CHECK.	APPRO.
---------	------	-------	-----	--------------	---------	--------	--------