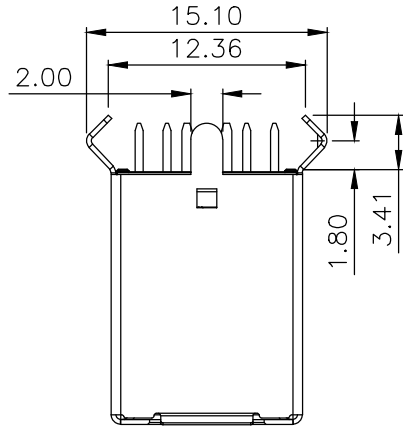
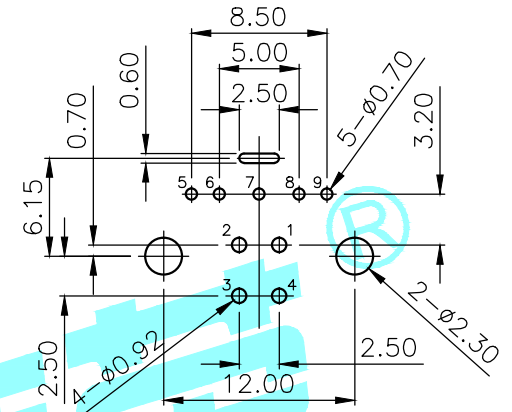


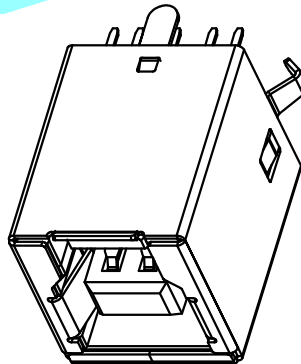
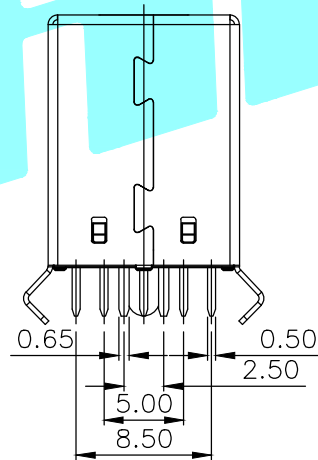
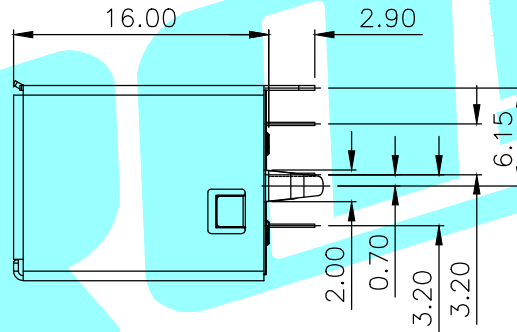
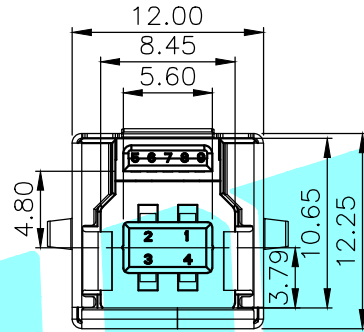
ROHS



Pin NUMBER	SIGNAL NAME
1	VBUS
2	D-
3	D+
4	GND
5	StdB_SSTX-
6	StdB_SSTX+
7	GND_DRAIN
8	StdB_SSRX-
9	StdB_SSRX+
Shell	Shield



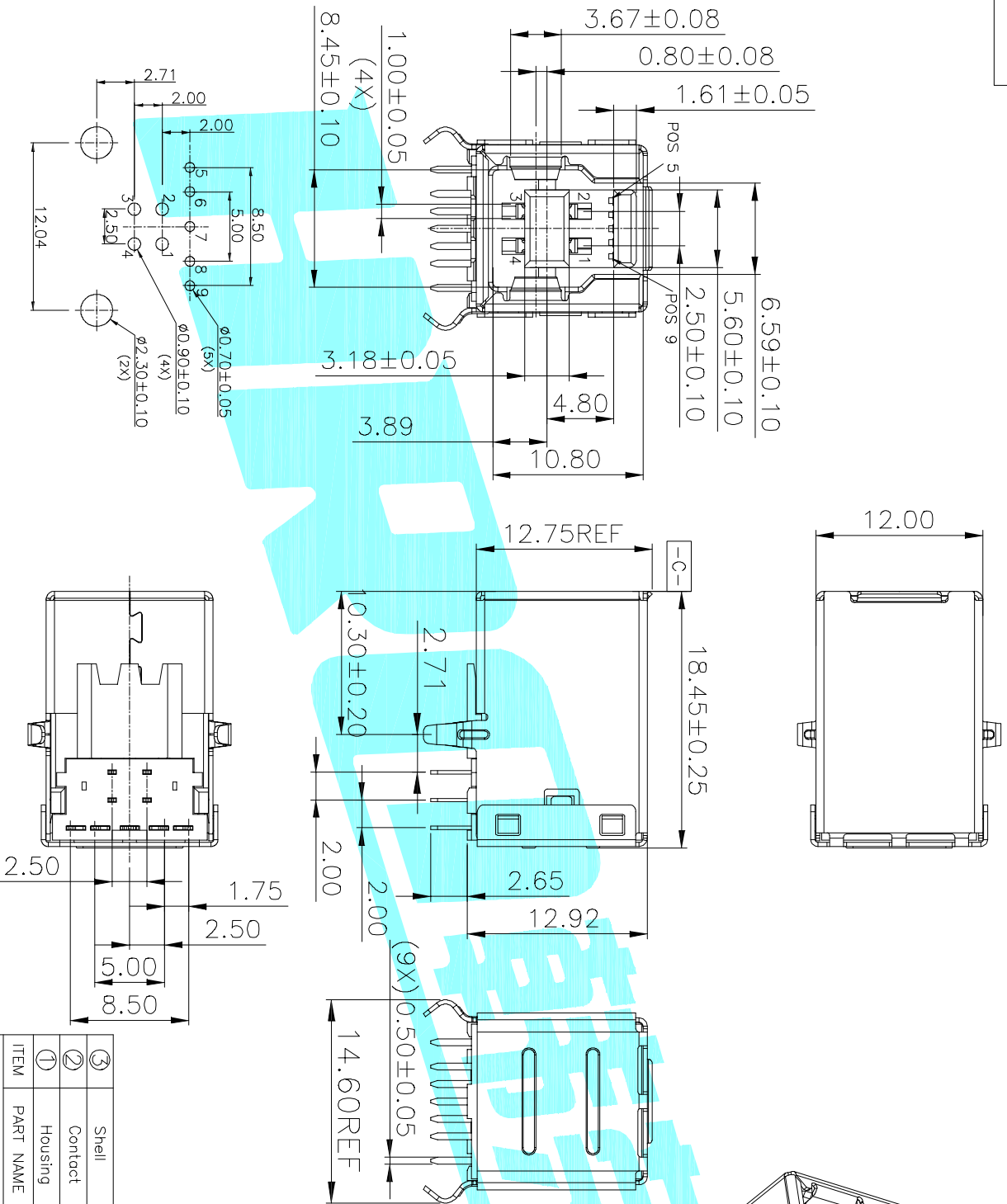
RECOMMEND P.C.B LAYOUT COMPONENT SIDE  
 DEFAUET TOLERANCES:±0.05 (PCB T=1.6mm)



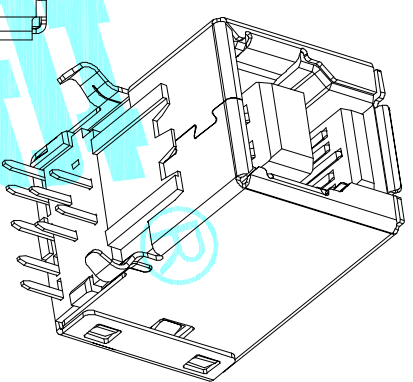
NOTES:

- 1.MATERIAL:
  - 1.1 HOUSING: HIGH TEMPERATURE THERAL PLASTIC.
  - 1.2 COVER:HIGH TEMPERATURE THERAL PLASTIC.
  - 1.3 SPRING CONTACT: COPPER ALLOY.
  - 1.4 FLAT CONTACT;COPPER ALLOY
  - 1.5 SHELL :COPPER ALLOY.
- 2.FINISH:
  - 2.1 CONTACT: (SEE P/N.),[50μ"] MIN. NICKEL UNDERPLATING OVER ALL.
  - 2.2 SHELL: [50μ"] MIN.SOLDERABLITY NICKEL UNDERPLATING OVER ALL.

APPROVALS		DATE	HRO 韓泰 ELECTRONICS CO.,LTD				
DRAWN	LIUCAN	2021.2.26	TITLE:	USB CONNECTOR			
CHECKED			PART NO.	U-B-M9DD-W-2			
APPROVALS			TOLERANCES ARE	ANGLE	UNIT: mm SCALE: 1:1 PROJ:		
			30~∞L: ±0.30	±2°	DRAWING NO.		
			10~30 ±0.25				
			5~10 ±0.20				
			~ 5 ±0.15				
ECN NO.	REV. A	DATE.	NEW DESCRIPTION.	CHANGE.	CHECK.	APPRO.	SHEET 1 OF 1



REFERENCE PCB LAYOUT



**SPECIFICATIONS:**  
 Contact current Rating:  
 1.8 Amperes for pin1&pin4,  
 0.25 Amperes other contacts  
 Dielectric Withstanding Voltage:AC 100V(RMS)  
 Insulation resistance:100Megohms Minimum.  
 Contact Resistance:  
 30mΩ Max for pin1&pin4  
 50mΩMax for other contacts  
**Mechanical Characteristics:**  
 Mating Force:35 Newtons,Maximum  
 Unmating Force:10 Newtons,Minimum,  
 8N Min After Durability  
 operating Temperature:-55to+85°

③	Shell	—	1	Brass	Ni Plated	
②	Contact	—	9	Copper Alloy	Au/Tin Plated	
①	Housing	—	1	PBT	Blue	
ITEM	PART NAME	TER'NO.	QTY.	MATERIAL	FINISHING	REMARK

APPROVALS		DATE	
DRAWN	JKUN.LU	2014/9/29	
CHECKED		TITLE:	USB CONNECTOR
APPROVALS		PART NO.	U-B-M9DD-W-1

TOLERANCES ARE		30~12.5	±0.30	ANGLE		PROJ.
		10~30	±0.25			①
		5~10	±0.20			
		~5	±0.15	±2°	DRAWING NO.	SHEET 1 OF 1

ECN NO.	REV.	DATE.	DESCRIPTION.	CHANGE.	CHECK.	APPRO.
	A		NEW			