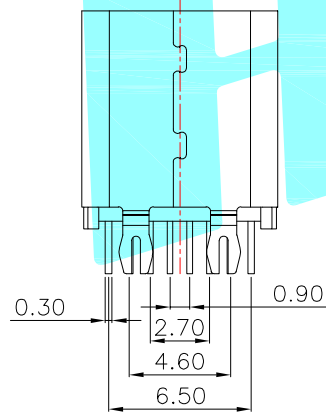
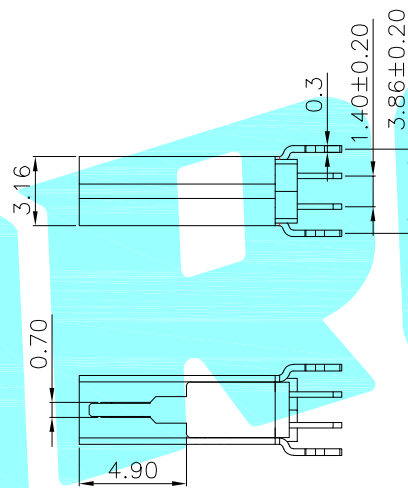
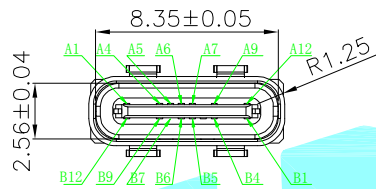
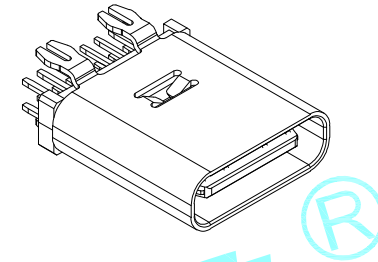
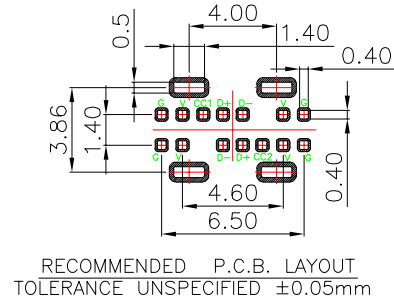
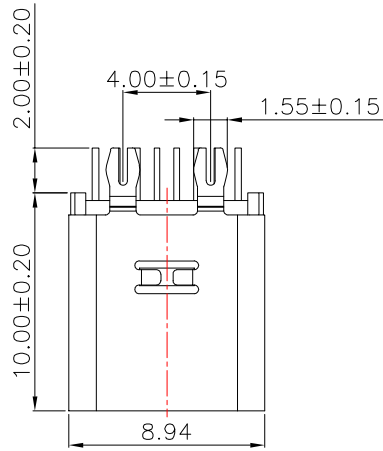


ROHS



A1	GND	B12	GND
A4	VBUS	B9	VBUS
A5	CC1	B8	
A6	DP1	B7	DN2
A7	DN1	B6	DP2
A8		B5	CC2
A9	VBUS	B4	VBUS
A12	GND	B1	GND
PIN	SIGNAL NAME	PIN	SIGNAL NAME

- 1.ELECTRICAL:
CURRENT: 3A MIN FOR VBUS;
0.25A MIN FOR OTHER.
VOLTAGE: 5V
WITHSTANDING VOLTAGE: 500V AC FOR 1 MIN.
CONTACT RESISTANCE: 40mΩ MAX.
INSULATION RESISTANCE: 100MΩ MIN.
- 2.MECHANICAL:
INSERTION: 5~20N.
EXTRACTION: 8~20N.
DURABILITY: 10000 CYCLES

4	TYPE C MD	LCP	BLACK	UL 94V-0
3	CENTER PIECE	STAINLESS STEEL	—	NO Plated
2	TYPE C TERMINAL	COPPER ALLOY	—	Gold Plated
1	SHELL	STAINLESS STEEL	—	Ni Plated
NO.	DESCRIPTION	MATERIAL	COLOR	REMARK

APPROVALS		DATE	 ELECTRONICS CO.,LTD											
DRAWN	LIUCAN	2021.10.30												
CHECKED			TITLE:	USB CONNECTOR										
APPROVALS			PART NO.	TYPE-C-31-M-15										
TOLERANCES ARE		<table border="1"> <tr> <td>30~以上</td> <td>±0.30</td> </tr> <tr> <td>10~30</td> <td>±0.20</td> </tr> <tr> <td>5~10</td> <td>±0.15</td> </tr> <tr> <td>~ 5</td> <td>±0.10</td> </tr> </table>	30~以上	±0.30	10~30	±0.20	5~10	±0.15	~ 5	±0.10	ANGLE	UNIT: mm	SCALE: 1:1	PROJ:
30~以上	±0.30													
10~30	±0.20													
5~10	±0.15													
~ 5	±0.10													
ECN NO.	REV.	DATE.	DRAWING NO.		SHEET 1 OF 1									

	A		NEW		
ECN NO.	REV.	DATE.	DESCRIPTION.	CHANGE.	CHECK. APPRO.