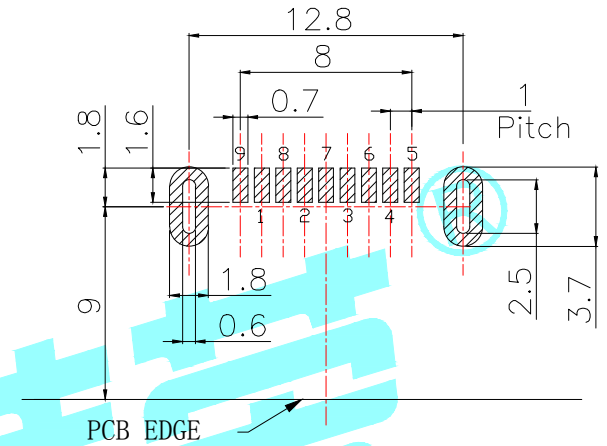
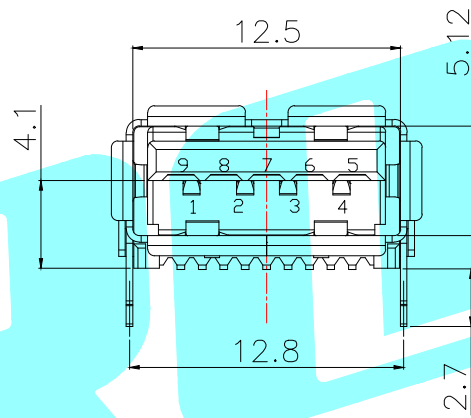
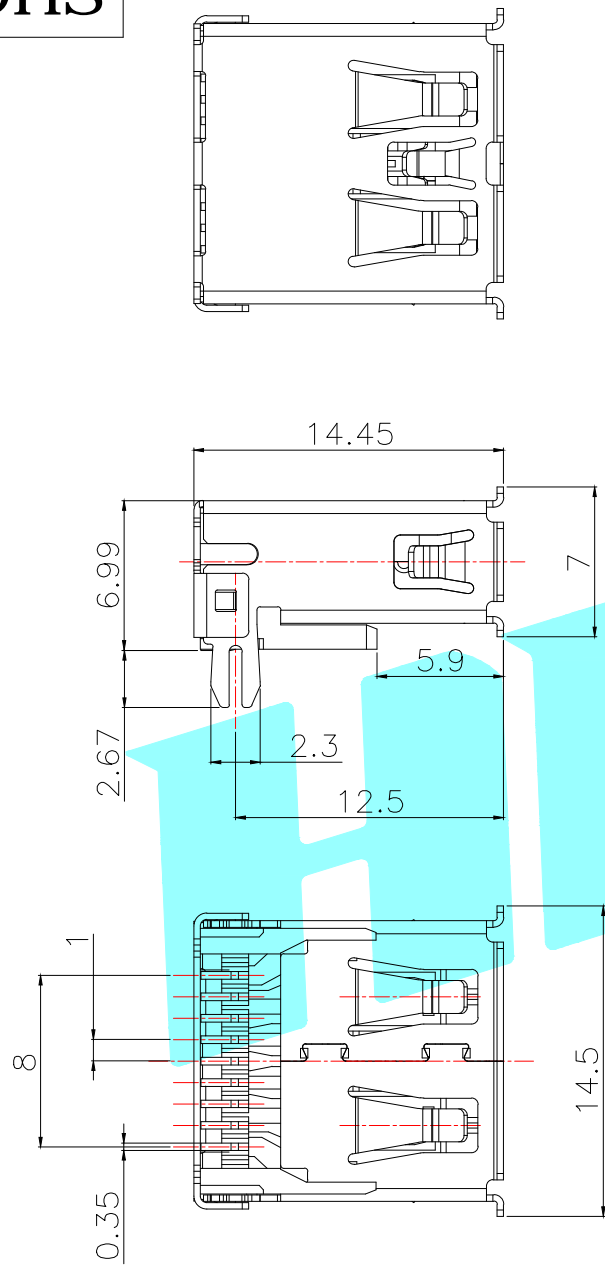


ROHS



RECOMMENDED PCB LAYOUT
TOLERANCES: ± 0.05

NOTES:

1. Material:

- 1.1 Insulator: High Temperature Plastic.
- 1.2 Contact: Bronze, Au Plated
- 1.3 Shell: Brass, Ni Plated

2. Current rating: 1.5A


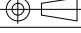
3. Voltage Rating: 35V AC

4. Mating Force: 3.57kgf MAX

5. Umated Force: 0.82kgf MIN

6. Durability Mandatory: 1,500 CYCLES

7. Salt Spray: 24 hours

APPROVALS		DATE	 ELECTRONICS CO.,LTD			
DRAWN	LIUCAN	2021.7.24				
CHECKED			TITLE:	USB CONNECTOR		
APPROVALS			PART NO.	U-A-39DS-Y-1		
TOLERANCES ARE	30~以上	± 0.30	ANGLE	UNIT: mm	SCALE: 1:1	PROJ: 
	10~30	± 0.20				
	5~10	± 0.15				
	~ 5	± 0.10				
CHANGE.	CHECK.	APPRO.	DRAWING NO.			SHEET 1 OF 1

_____	A	_____	NEW	_____	_____	_____
ECN NO.	REV.	DATE.	DESCRIPTION.	CHANGE.	CHECK.	APPRO.