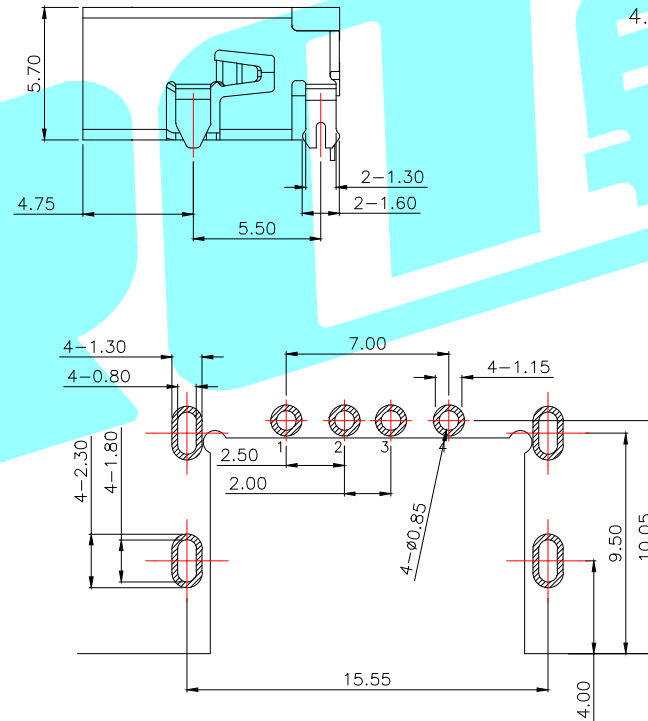
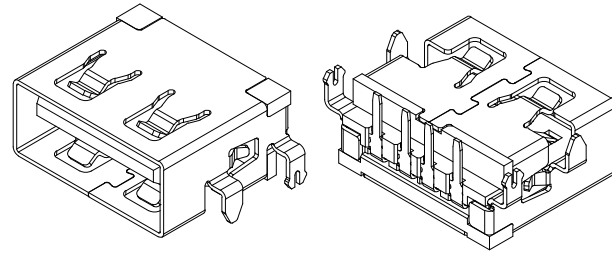
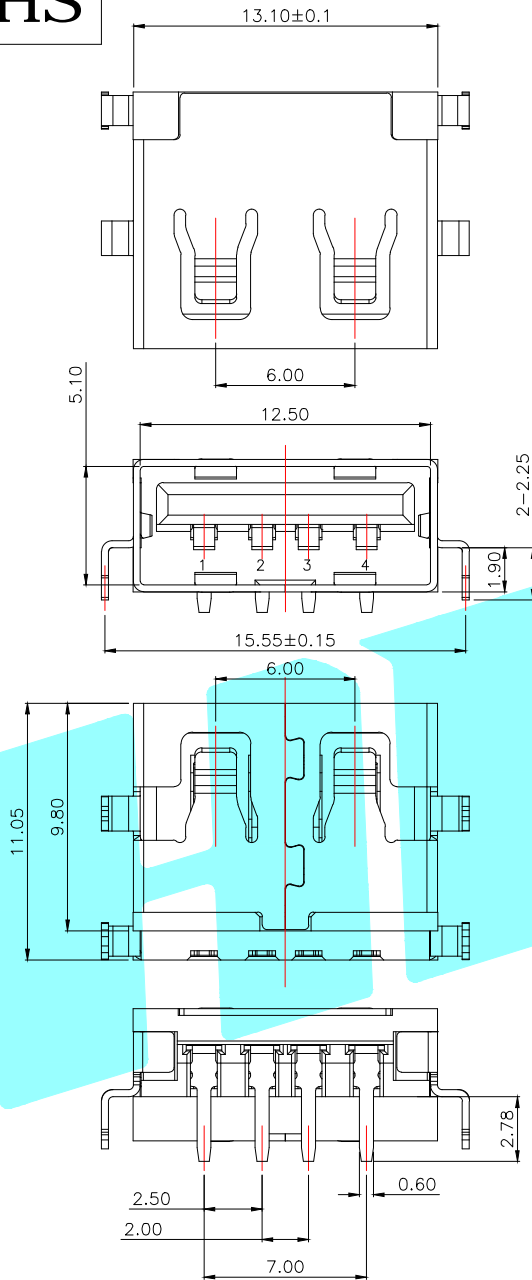


ROHS



RECOMMEND P.C.B LAYOUT (COMPONENT SIDE)
TOLERANCE FOR PCB LAYOUT IS ± 0.05

NOTES:

1. MATERIAL

CONTACTS: COPPER ALLOY (T=0.20mm)
SHELL: SPCC (T=0.30mm)
HOUSING: HIGH TEMPERATURE RESISTANT PLASTIC, UL94 V-0.

2. ELECTRICAL PERFORMANCE,

CONTACT RESISTANCE: 30MΩ MAX
CONTACT CURRENT RATING: 1.5 AMPERES
DIELECTRIC WITHSTAND VOLTAGE, 500V R.M.S
INSULATION RESISTANCE: 100MΩ MIN
OPERATING TEMPERATURE: -40°C~+85°C.

3. MECHANICAL PERFORMANCE,

INSERTION FORCE: 3.5kgf Max
REMOVAL FORCE: 1.02kgf Min
DURABILITY: 5000 CYCLES.

4. PLATING SPECIFICATION:

CONTACTS: GOLD PLATED ON CONTACT AREA, Sn ON SOLDER AREA,
NICKEL UNDERPLATED.
SHELL: 80u"MIN BRIGHT NICKEL PLATING OVER ALL,
NICKEL MUST BE SOLDRABILITY.
HOUSING: HIGH TEMPERATURE RESISTANT PLASTIC, UL94 V-0 .

| Pin Number | Signal Name |
|------------|-------------|
| 1 | VBUS |
| 2 | D- |
| 3 | D+ |
| 4 | GND |

| APPROVALS | | DATE | HROELECTRONICS CO., LTD | | | |
|----------------|--------|-----------|-------------------------|---------------|------------|--------------|
| DRAWN | LIUCAN | 2021.6.21 | ELECTRONICS CO., LTD | | | |
| CHECKED | | | TITLE: | USB CONNECTOR | | |
| APPROVALS | | | PART NO. | U-A-24DD-W-18 | | |
| TOLERANCES ARE | 30~以上 | ±0.30 | ANGLE | UNIT: mm | SCALE: 1:1 | PROJ: |
| | 10~30 | ±0.25 | | DRAWING NO. | | |
| | 5~10 | ±0.20 | | | | |
| | ~ 5 | ±0.15 | | | | SHEET 1 OF 1 |

| ECN NO. | REV. | DATE. | DESCRIPTION. | CHANGE. | CHECK. | APPRO. |
|---------|------|-------|--------------|---------|--------|--------|
| | A | | NEW | | | |