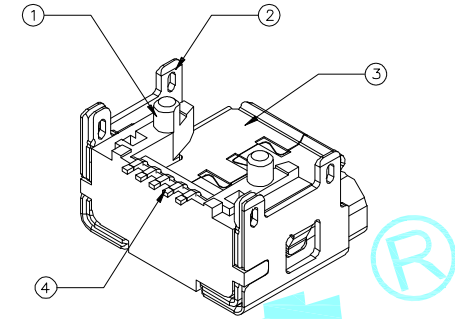
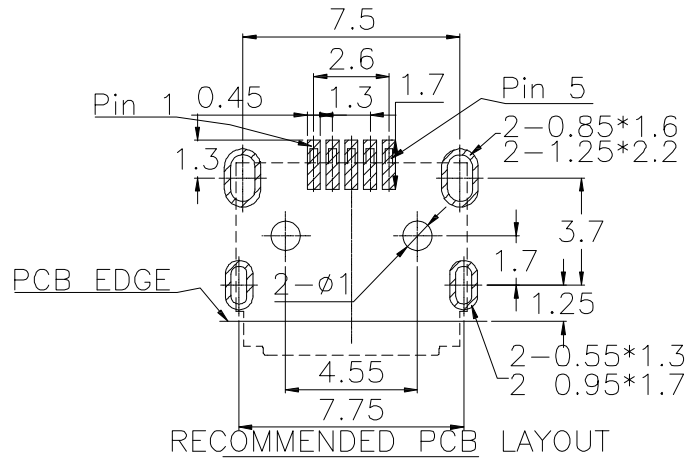
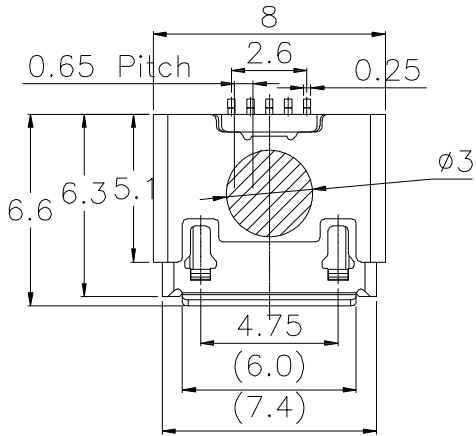


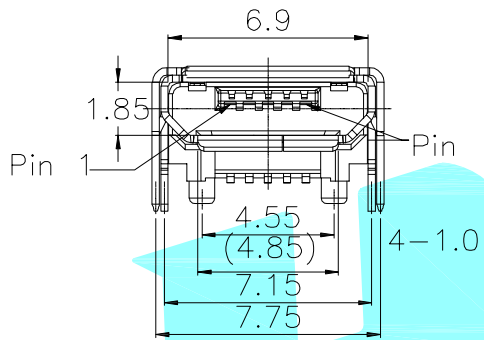
ROHS



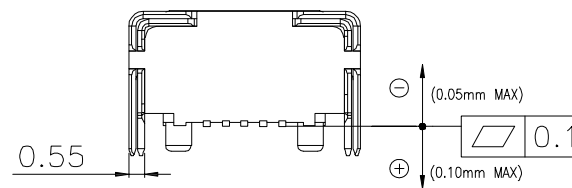
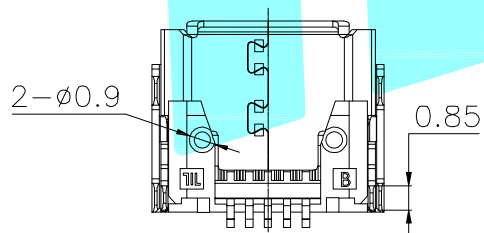
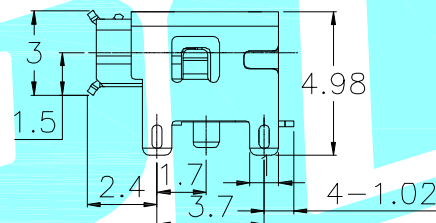
Notes:

Specifications:

1. Current rating: 1 A Max. Dielectric withstanding voltage: 100V(AC) for 1 min.
3. Contact resistance: 50mΩ Max.
4. Insulation resistance: 100MΩ Min.
5. Total mating force: 3.57 Kg Max.
6. Total unmating force: 1.0 Kg Min. 0.81~2.05 Kg Min. after 10000 insertion/extraction cycles
7. Temperature range: -30°C~+80°C



Toleranc : ±0.1(TOP VIEW)



(coplanarity 0.1mm MAX.
Before, during and after Reflow)

④	Contact	—	5	Copper Alloy	Au Plated	—
③	Shell	—	1	SUS	Ni Plated	—
②	Cover	—	1	SUS	Ni Plated	—
①	Housing	—	1	LCP	Black	—
ITEM	PART NAME	TER'NO.	QTY.	MATERIAL	FINISHING	REMARK

APPROVALS		DATE		 ELECTRONICS CO.,LTD		
DRAWN	LIUCAN	2022.8.9				
CHECKED				TITLE: USB CONNECTOR		
APPROVALS				PART NO. U-F-M5DS-Y-11		
TOLERANCES ARE		30~以上	±0.30	ANGLE	UNIT: mm	SCALE: 1:1
		10~30	±0.25			
		5~10	±0.20			
		~ 5	±0.15			
				±2'	DRAWING NO.	SHEET 1 OF 1

_____	A	_____	NEW	_____	_____	_____
ECN NO.	REV.	DATE.	DESCRIPTION.	CHANGE.	CHECK.	APPRO.