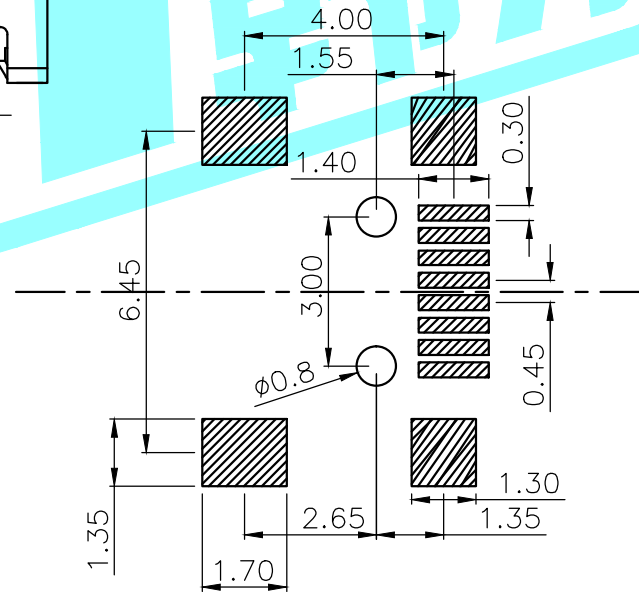
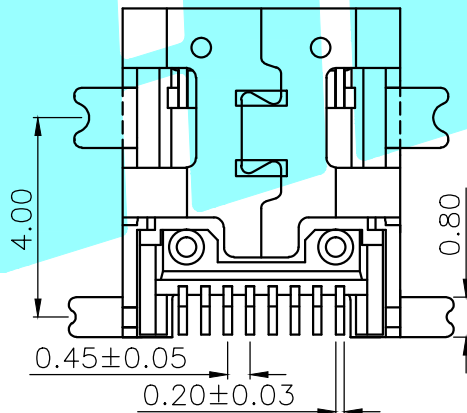
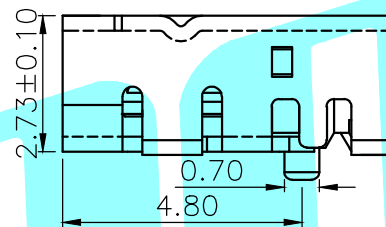
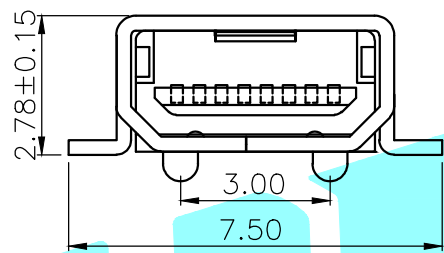
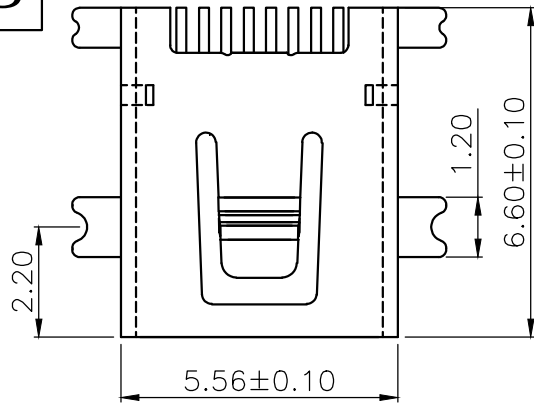


ROHS



NOTE:

Electrical:

- 1.Current Rating: 1.0A/contact terminal
- 2.Voltage Rating: 30V DC
- 3.Contact Resistance: 50 milliohms MAX
- 4.Dielectric Withstanding Voltage: 300V AC at Sea Level
- 5.Insulation Resistance: 100MEGA ohms MIN

Raw material:

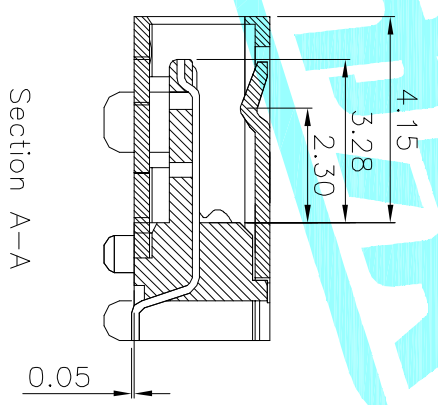
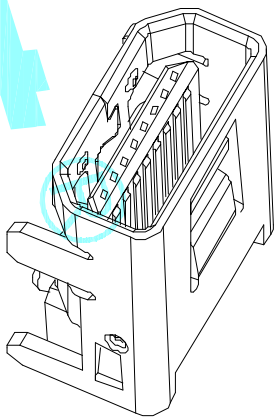
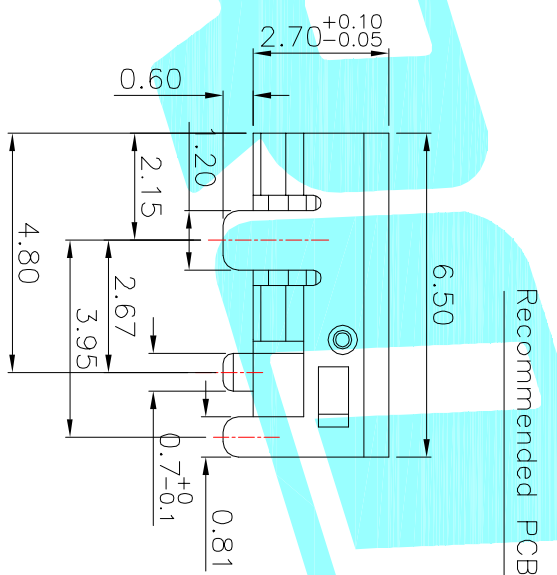
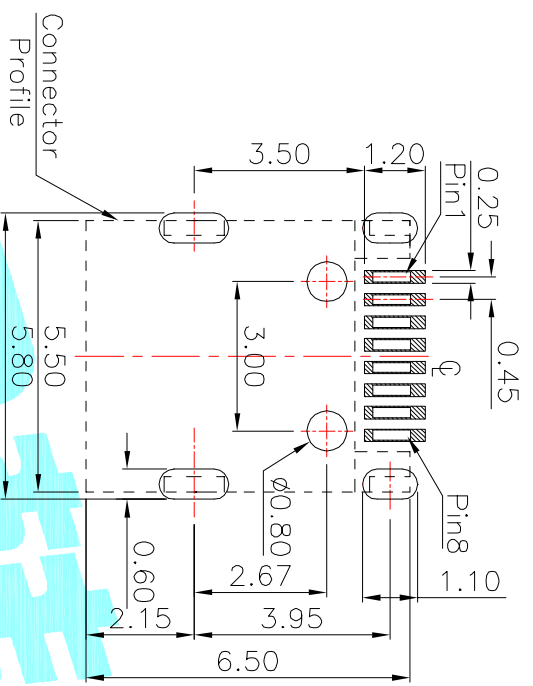
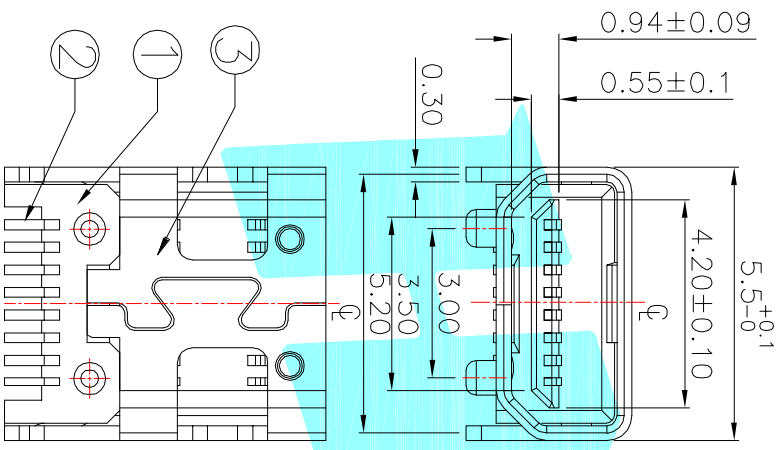
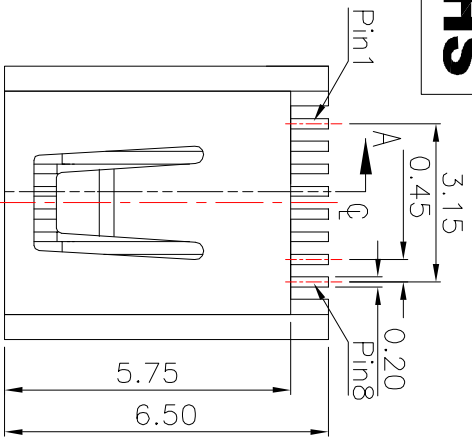
- 1.Plastic cement: Hing Temperature Thermoplastics, LCP Black
- 2.Contact: Copper Alloy C5191
- 3.Shell: Copper Alloy C2680

Electroplate:

- 1.Contact: Plated Gold in Mating Area, Tin On Solder Talls
- 2.Shell: Nickel Plating

APPROVALS		DATE	 ELECTRONICS CO.,LTD					
DRAWN	LIUCAN	2021.2.24						
CHECKED			TITLE:	USB CONNECTOR				
APPROVALS			PART NO.	U-M-M8SS-W-1				
TOLERANCES ARE	30~以上	±0.30	ANGLE	UNIT: mm	SCALE: 1:1	PROJ:		
	10~30	±0.25						
	5~10	±0.20						
	~ 5	±0.15						
ECN NO.	REV.	DATE.	DESCRIPTION.	CHANGE.	CHECK.	APPRO.	DRAWING NO.	SHEET 1 OF 1

NEW						
ECN NO.	REV.	DATE.	DESCRIPTION.	CHANGE.	CHECK.	APPRO.



- NOTE:
- 1.Mating Force: 1.0-2.0 Kgf
 - 2.Unmating Force: 1.0-2.0 Kgf
 - 3.Compliance With RoHS Directive.
 - 4.Mating Durability:10000 Cycles

③	Shell	—	1	Copper alloy	Au Plated	
②	Contact	—	1	Copper alloy	Au Plated	
①	Housing	—	1	HI.-TEMP.Plastic	None	
ITEM	PART NAME	TER'NO.	QTY.	MATERIAL	FINISHING	REMARK

APPROVALS

DRAWN JKUN.LLU DATE 2014/7/22

TITLE: USB CONNECTOR

ELECTRONICS CO.,LTD

ECN NO.	REV.	DATE.	DESCRIPTION.	CHANGE.	CHECK.	APPRO.
	A		NEW			
TOLERANCES ARE $30 \sim 12.5 \pm$ ± 0.30 ANGLE PART NO. U-M-M8DD-W-1 $10 \sim 30$ ± 0.25 UNIT: mm SCALE: 1:1 PROJ: $5 \sim 10$ ± 0.20 DRAWING NO. SHEET 1 OF 1 ~ 5 ± 0.15						