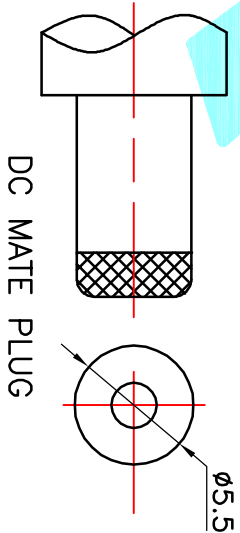
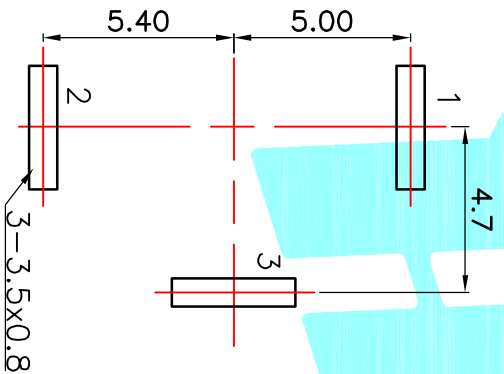


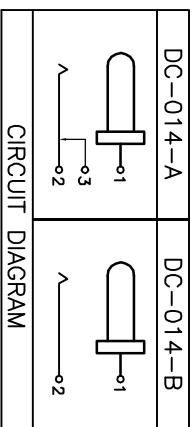
P.C.B LAYOUT(Copper-side view)



DC MATE PLUG

Rating:0.5A 30V DC
 Contact Resistance:100 mΩ Max.
 Operating temperature:-20℃~70℃
 Operating force:3~20N
 Operating Life:5,000cycles

Model No.	1	2	3
PIN	φ2.0	φ2.35	φ2.5



DRAWN		J.X.Zhang		DATE		2013/11/11	
CHECKED				TITLE:		PHONE JACKES	
APPROVALS				PART NO.		DC-014	
TOLERANCES ARE		30 ^{±0.15}		±0.30		ANGLE	
		10 ^{±0.10}		±0.20		UNIT: mm	
		5 ^{±0.10}		±0.15		SCALE: 1:1	
		~5		±Z		DRAWING NO.	
ELECTRONICS CO.,LTD		PROJ.:		SHEET		1 OF 1	

ECN NO.	REV.	DATE.	DESCRIPTION.	CHANGE.	CHECK.	APPRO.
	A		NEW			