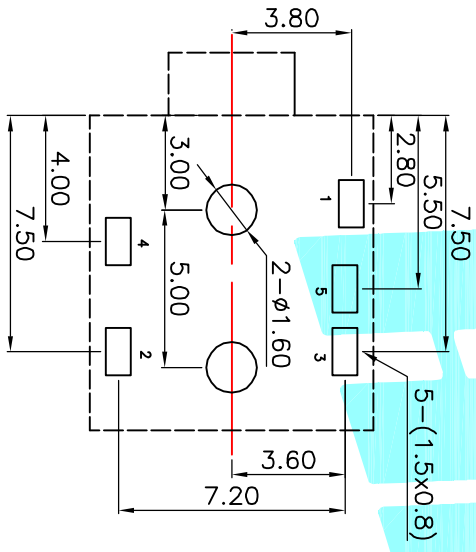


P.C.B Layout (copper-sided view)



Model NO	PJ-2050B-A	PJ-2050B-B
Schematic		
Model NO	PJ-2050B-C	PJ-2050B-D
Schematic		

Rating:0.5A 30V DC
 Contact Resistance:100 mΩ Max.
 Operating temperature:-20℃~70℃
 Operating force:3-20N
 Operating Life:5,000cycles

ECN NO.	REV.	DATE.	DESCRIPTION.	CHANGE.	CHECK.	APPRO.																																																
	A		NEW																																																			
<table border="1"> <tr> <td>② Terminal</td> <td>5</td> <td>Phosphor bronze</td> <td>Au Plating</td> </tr> <tr> <td>① Housing</td> <td>1</td> <td>Nylon</td> <td>Black</td> </tr> <tr> <td>ITEM PART NAME</td> <td>TER'NO. QTY.</td> <td>MATERIAL</td> <td>FINISHING</td> </tr> <tr> <td>APPROVALS</td> <td>DATE</td> <td colspan="2">TITLE: PHONE JACKES</td> </tr> <tr> <td>DRAWN J.X.Zhang</td> <td>2013/11/11</td> <td colspan="2">ELECTRONICS CO.,LTD</td> </tr> <tr> <td>CHECKED</td> <td></td> <td>PART NO.</td> <td>PJ-2050B</td> </tr> <tr> <td>APPROVALS</td> <td></td> <td>SCALE: 1:1</td> <td>PROJ-4</td> </tr> <tr> <td colspan="2">TOLERANCES ARE</td> <td>DRAWING NO.</td> <td>SHEET 1 OF 1</td> </tr> <tr> <td>30~0.15</td> <td>±0.30</td> <td></td> <td></td> </tr> <tr> <td>10~0.30</td> <td>±0.20</td> <td></td> <td></td> </tr> <tr> <td>5~10</td> <td>±0.15</td> <td></td> <td></td> </tr> <tr> <td>~5</td> <td>±0.10</td> <td></td> <td></td> </tr> </table>							② Terminal	5	Phosphor bronze	Au Plating	① Housing	1	Nylon	Black	ITEM PART NAME	TER'NO. QTY.	MATERIAL	FINISHING	APPROVALS	DATE	TITLE: PHONE JACKES		DRAWN J.X.Zhang	2013/11/11	ELECTRONICS CO.,LTD		CHECKED		PART NO.	PJ-2050B	APPROVALS		SCALE: 1:1	PROJ-4	TOLERANCES ARE		DRAWING NO.	SHEET 1 OF 1	30~0.15	±0.30			10~0.30	±0.20			5~10	±0.15			~5	±0.10		
② Terminal	5	Phosphor bronze	Au Plating																																																			
① Housing	1	Nylon	Black																																																			
ITEM PART NAME	TER'NO. QTY.	MATERIAL	FINISHING																																																			
APPROVALS	DATE	TITLE: PHONE JACKES																																																				
DRAWN J.X.Zhang	2013/11/11	ELECTRONICS CO.,LTD																																																				
CHECKED		PART NO.	PJ-2050B																																																			
APPROVALS		SCALE: 1:1	PROJ-4																																																			
TOLERANCES ARE		DRAWING NO.	SHEET 1 OF 1																																																			
30~0.15	±0.30																																																					
10~0.30	±0.20																																																					
5~10	±0.15																																																					
~5	±0.10																																																					