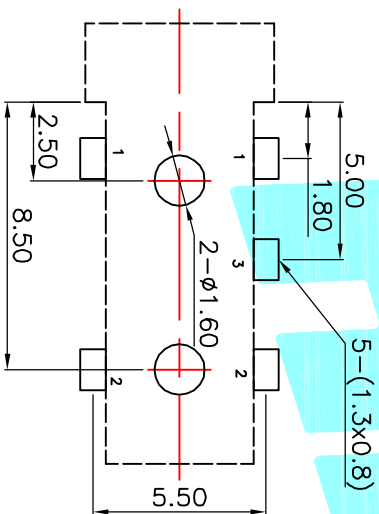


P.C.B Layout (copper-sided view)



Rating:0.5A 30V DC
 Contact Resistance:100 mΩ Max.
 Operating temperature:-20℃~70℃
 Operating force:3~20N
 Operating Life:5,000cycles

A=φ5	PJ-3133
Schematic	

② Terminal	5	Phosphor bronze	Au Plating				
① Housing	1	Nylon	Black				
ITEM	PART NAME	TER'NO.	QTY.	MATERIAL	FINISHING	REMARK	
APPROVALS		DATE					
DRAWN	J.X.Zhang	2013/11/11	ELECTRONICS CO.,LTD				
CHECKED			TITLE: PHONE JACKES				
APPROVALS			PART NO. PJ-3133				
TOLERANCES ARE		30~0.15	±0.30	ANGLE	UNIT: mm	SCALE: 1:1	PROJ-4
	10~30	±0.15		±2'			
	5~10	±0.10					
	~5						SHEET 1 OF 1
ECN NO.	REV.	DATE.	DESCRIPTION.	CHANGE.	CHECK.	APPRO.	
	A		NEW				