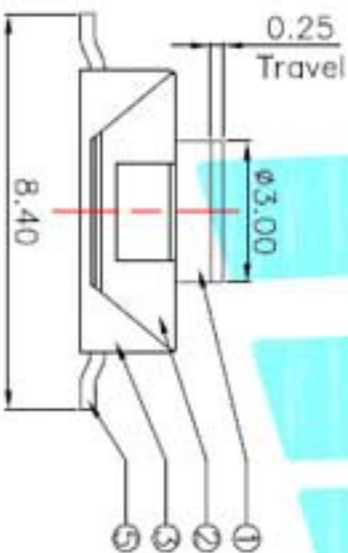
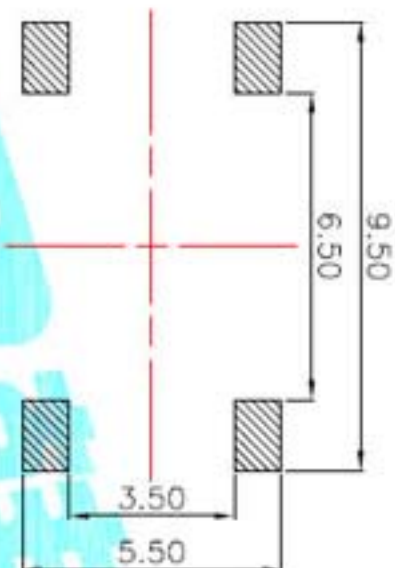
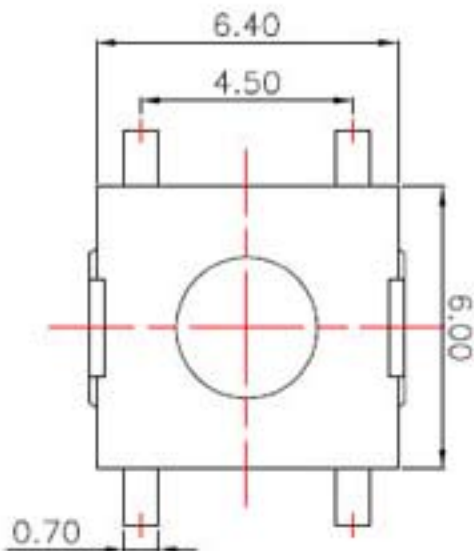




Circuit Diagram



NO.1	
PART NO.	H
B	2.5
C	3.1
D	3.4
E	5.5

NO.3	
PART NO.	MATERIAL/QTY
S	SUS/1PC
C	CS210/1PC
D	SUS/2PCS
F	CS210/2PCS

NO.2	
PART NO.	vigor
1	90±30
2	130±30
3	180±30
4	250±30
5	350±50

NO.4-NO.5	
PART NO.	NOTE
01~99	SEEK NUMBER

ITEM	PART NAME	TER.NO.	QTY.	MATERIAL	FINISHING	REMARK
⑤	Terminal	—	4	Copper(0.3)	Plating silver	—
④	Contact	—	1	F.Ag/CS210	Natural	—
③	Base	—	1	Nylon	Black	—
②	Cover	—	1	Brass(0.15s)	Plating Nickel	—
①	Keystroke	—	1	Nylon	Red	—

APPROVALS		DATE
DRAWN	J.X.Zhang	2013/7/17

ELECTRONICS CO.,LTD

TACT SWITCHS

CHECKED	TITLE	PART NO.	SCALE	PROJ.
—	TACT SWITCHS	K2-1157SP-0000W-00	1:1	—

TOLERANCES ARE	ANGLE	DRAWING NO.	SHEET
±0.1 ±0.2 ±0.15 ±0.1	#27	—	1 OF 1

ECN NO.	REV.	DATE	DESCRIPTION	CHANGE	CHECK	APPRO.
—	A	—	NEW	—	—	—