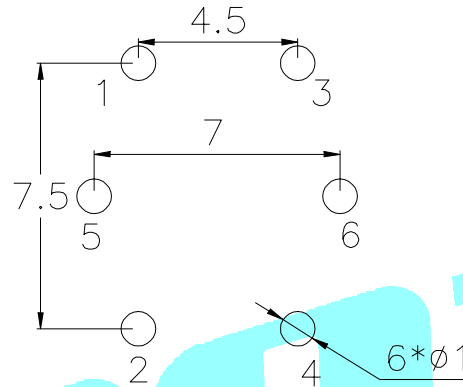
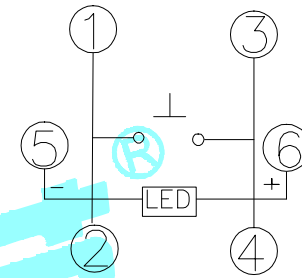


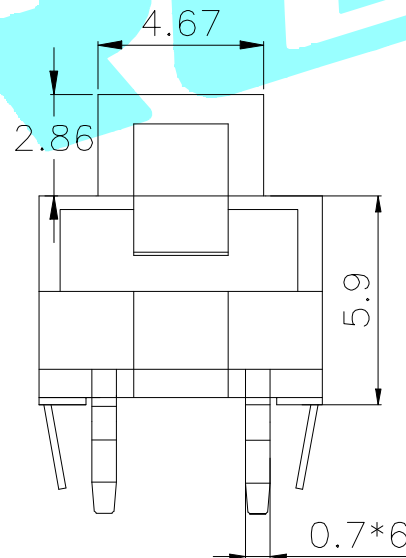
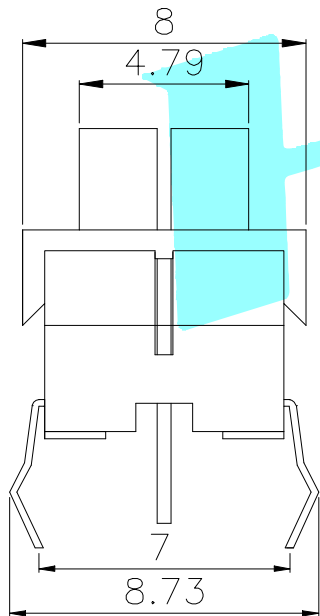
PCB Layout(Pattern Side)



Circuit Diagram



LED colour(LED颜色)	Part No. (料号)
White(白色)	K6-8859D01
Red(红色)	K6-8859D02
Blue(蓝色)	K6-8859D03
Green(绿色)	K6-8859D04



Typical Specifications  
 1.Rating : DC 12V 50mA  
 2.Operating Force : 250 ± 50 gf  
 3.Contact Resistance : 100mΩMAX  
 4.Life : 100,000 Cycles Min

⑦	LED		1		Transparent	——
⑥	Keystoke		1	PA66	White	——
⑤	Spring		1	Keystoke	Ag	——
④	Base		1	PA66	Black	——
③	Cover		1	PA66	Black	——
②	Terminal	——	6	Phosphor bronze	Ag Plating	——
①	Housing	——	1	Nylon	Black	——
ITEM	PART NAME	TER'NO.	QTY.	MATERIAL	FINISHING	REMARK

APPROVALS		DATE		HRO 韓泰 ELECTRONICS CO.,LTD		
DRAWN	D.J.LV	2017/12/26		TITLE:	LED Tact Switch	
CHECKED				PART NO.	K6-8859D-□□	
APPROVALS				TOLERANCES ARE	ANGLE	UNIT: mm
		30~以上	±0.30		±2'	SCALE: 1:1
		10~30	±0.20			PROJ:
		5~10	±0.15			DRAWING NO.
		~ 5	±0.10			SHEET 1 OF 1

ECN NO.	REV.	DATE.	DESCRIPTION.	CHANGE.	CHECK.	APPRO.
	A		NEW			